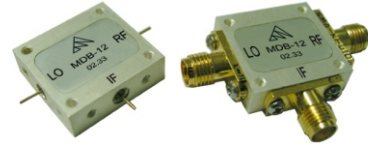


Features

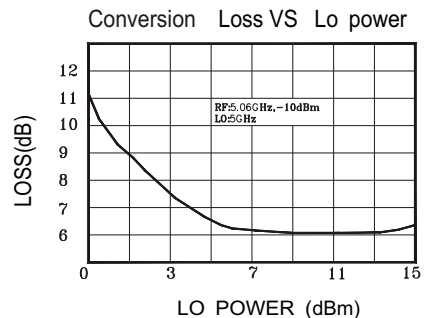
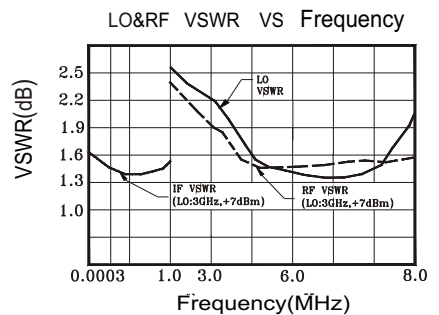
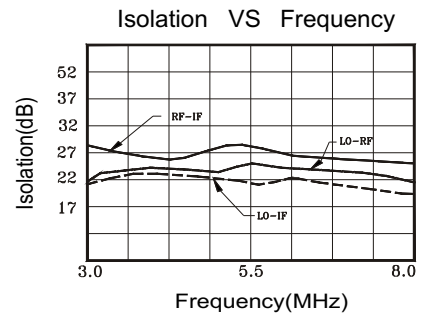
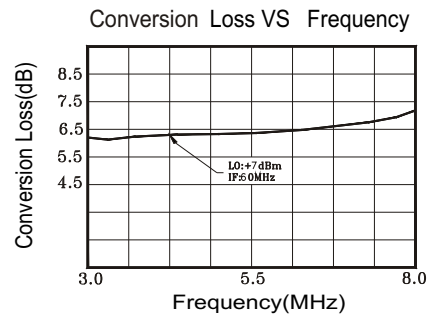
- LO drive level : +10dBm(Typ)
- LO&RF frequency range:3.0~8.0GHz
- Low Conversion loss , High isolation
- 50 Ω impedance matching High reliability
- Removable SMA connectors
- Operating temperature range:-55°C~+85°C



Specifications(measured in a 50 Ω system, TA=25°C)

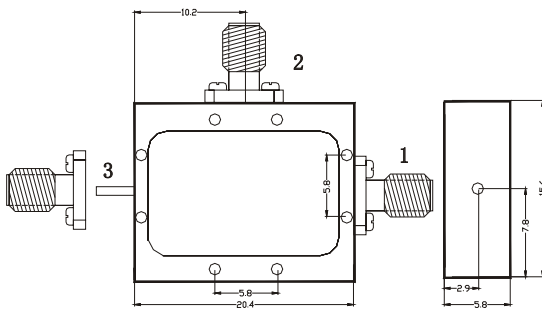
Parameter	Symbol	Unit	Guaranteed	Typical
Frequency Range	LO&RF	f	GHz	3.0~8.0
	IF			DC~1.0
Conversion Loss	C.L	dB	6.5(3.0~5.0GHz)	6.0(3.0~5.0GHz)
			8.0(5.0~8.0GHz)	7.0(5.0~8.0GHz)
Iso	LO-RF	Iso	dB	25(3.0~5.0GHz)
	LO-IF			20(5.0~8.0GHz)
	RF-IF			18(3.0~8.0GHz)
1dB Compression point	P-1	dBm	2	4
Input Intercept 3rd order point	IP3	dBm	—	13

Typical Performance



Absolute Maximum Ratings

RF Input Power : +17dBm Storage Temp:+125°C



Pin connection:
 1. LO
 2. RF
 3. IF
 Metal case is ground

MDB-12

Application Notes :

1. LO drive level : +10dBm(Typ)
2. Input/output pin should be connected to 50 Ω microstrip.
3. The bottom should be place as close to ground as possible for better RF grounding